

**Rollover Sofa Bed Hinge Kit
DIY Wall Mount Couch**



General Notes

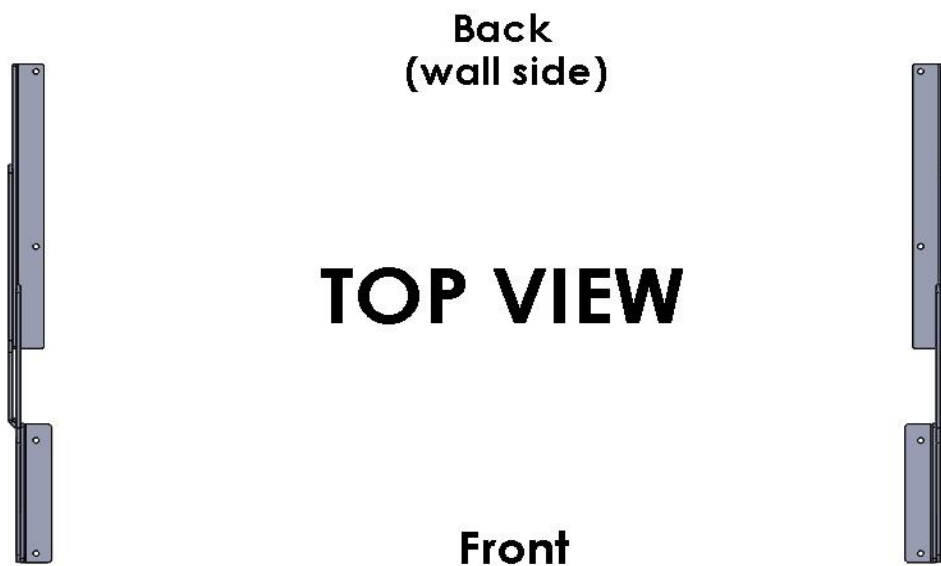
- Please read all instructions thoroughly before starting installing this product.
- Rollover Sofa Bed Hinge Kit DIY Wall Mount Couch

Parts List

- (1) Right Hand Sofa Sleeper Hinge
- (1) Left Hand Sofa Sleeper Hinge
- (2) Folding Legs
- (2) Optional Folding Legs
- (1) Right Hand Sofa Wall Mount Bracket
- (1) Left Hand Sofa Wall Mount Bracket

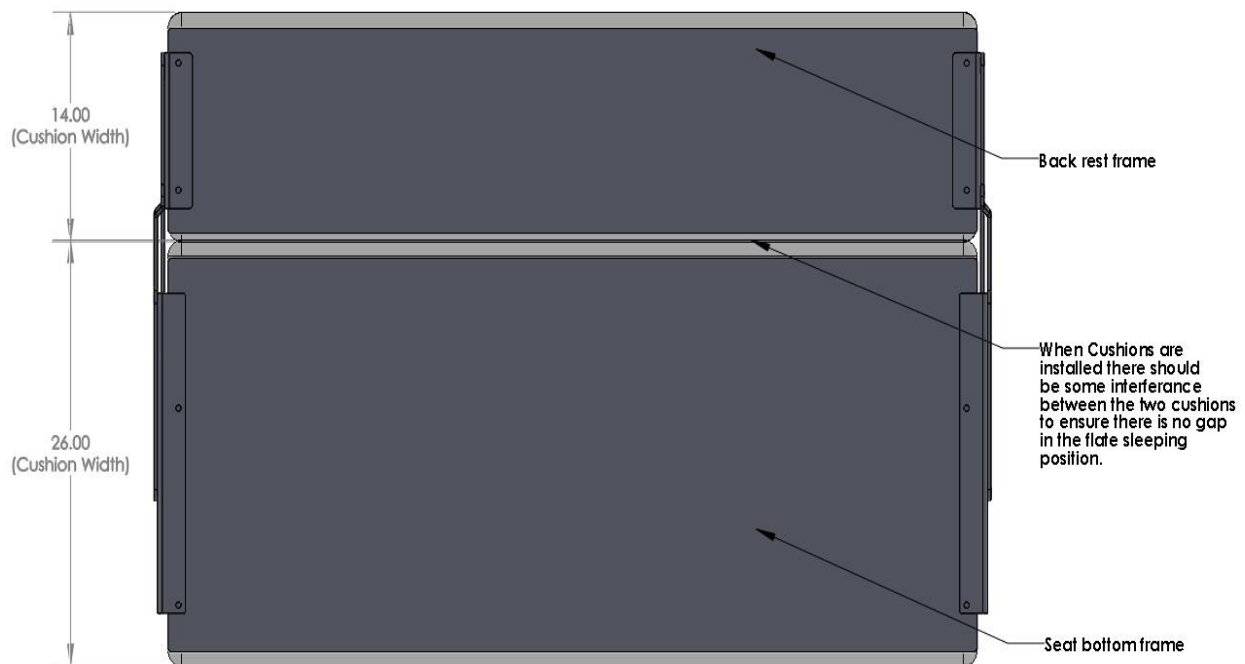
Installation

- 1) Start by identifying the left and right hand hinge sets. The best way is once un-wrapped to open both hinges into the flattened position as shown.

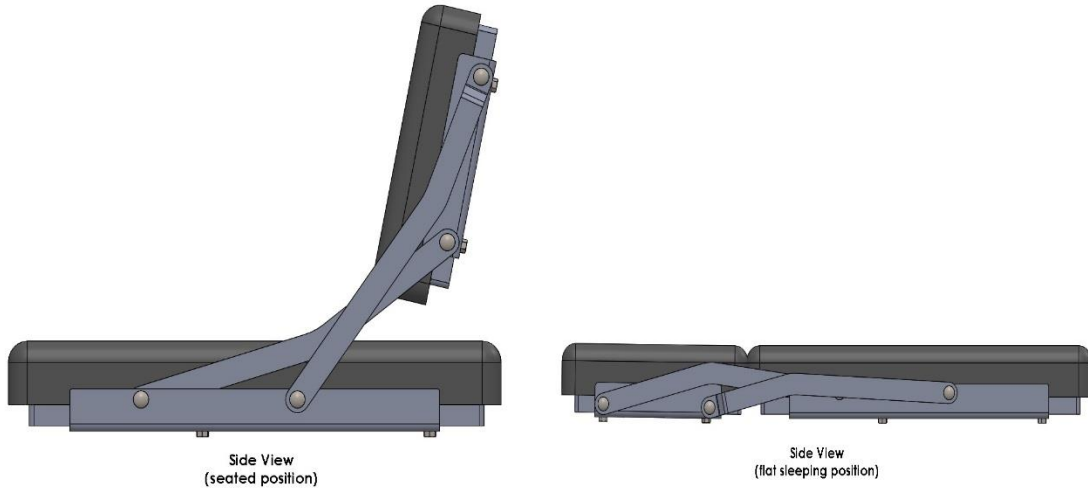


- 2) With the left and right hinges now identified you can now start on fabricating your seat bottom and back rest frames. The overall width is completely up to you. However the width of the back rest in relation to the seat bottom cushion is important. This is why it is best to build up the DIY kit with the hinges in the flat (sleeping position). This will insure that when the back rest is folded from a seated position to sleeping position it will all work correctly.

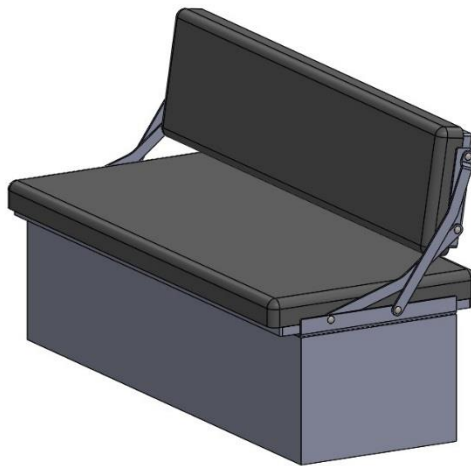
Bottom View



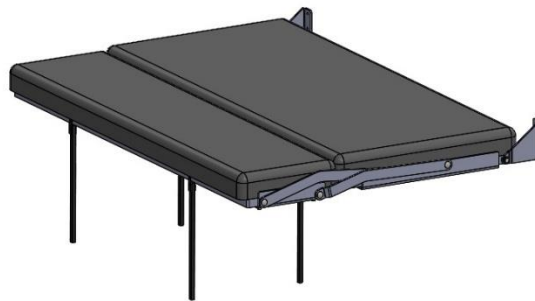
- 3) Securely fasten the back rest and seat bottom frame to the right and left side hinges. (*since RecPro does not know the size frame that you will be mounting into you will need to provide the correct mounting hardware*). Working assembly pictures below.



- 4) Now that your sofa sleeper assembly is finished it can either be mounted to a home-made base or mounted to the wall using the sofa wall mount bracket that was provided in the kit.



Base Mounted Sofa Sleeper

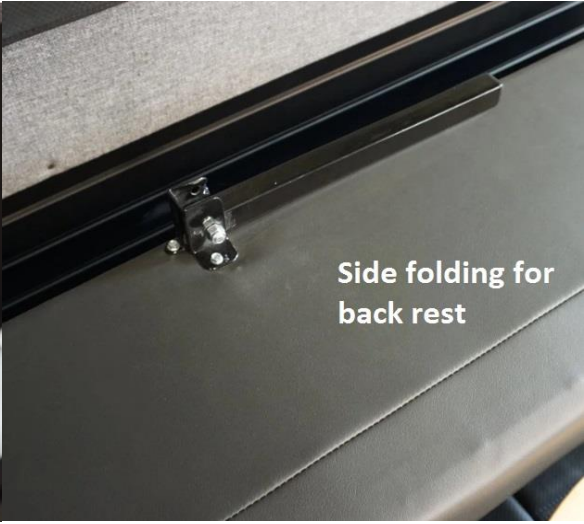


Wall Mounted

- 5) Installing the support legs. If you are mounting to a base or box that is supporting the sofa bench seat you will only need to install the support legs for the back rest. If you are wall mounting the sofa sleeper to the wall with no box you will need to use all 4 support legs.
- a) There are two types of support legs. The side folding legs are used for the sofa back rest and the back folding legs are used for the bench seat.



back folding
for seat bottom



Side folding for
back rest