

## Bed Assembly

- 1 - Locate wall stud or other support structure
- 2 - Fasten wall bracket to the support structure using #8 - (1-1/2") screws
- 3 - Measure for your mattress width and install the other wall bracket
- 4 - Slide finished bed platform into position on the support brackets and fasten using #8 - (3/4") self-taping screws. Make sure to fasten both sides of the platform
- 5 - Install the leg spacer onto leg to connect them. (For model 960016, you will need to install the leg brackets before installing the spacers)
- 6 - Bed should be ready to fold

## Platform Assembly

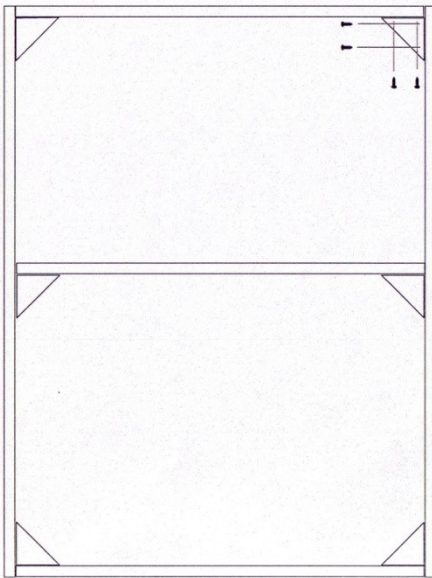


Fig 1

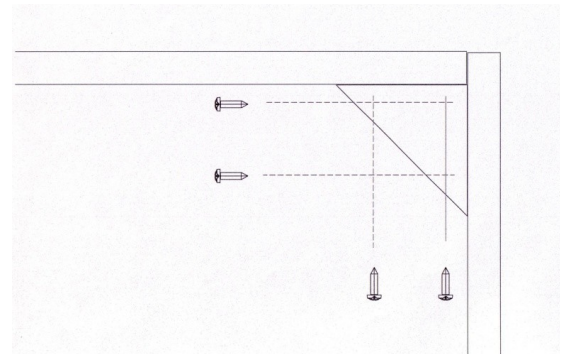


Fig 2

- 1- Lay out tubes as in figure 1
- 2- Use the sheet metal screws to assemble the corner brackets to the rail tubes Figure 2.
- 3- Make sure that all bracket screws are put in (4) in each bracket
- 4- Center support tube should be placed so your top material ( **not included** ) will be well supported when attached

Fig 1

- 5- Attach your mattress support (**not included**) to the wall side of the platform to keep the mattress in place when the bed is folded
- 6- Attach your plywood material to the tube framework to complete the platform