

1-800-547-5740 • Fax: (503) 643-6322  
www.ueitest.com • email: info@ueitest.com

## Introduction

The INF165 quality IR Thermometer is perfect for apprentice level applications when cost is important but performance is critical.

### Features include

- Wide Temperature Range -36.4 ~ 689°F
- Distance to Spot ratio: 12:1
- Selectable Emissivity (0.70, 0.95)
- Max value capture
- Auto off

## Safety Notes

Before using this meter, read all safety information carefully.

In this manual the word "**WARNING**" is used to indicate conditions or actions that may pose physical hazards to the user. The word "**CAUTION**" is used to indicate conditions or actions that may damage this instrument.

**NOTE:** The INF165 is not recommended for use on shiny surfaces such as chrome, mirrors or polished metals.



### WARNING!

To avoid thermal shock, the instrument should be stored at room temperature between 32° to 122°F (0° to +50°C).



### WARNING!

DO NOT look directly into the laser beam. Permanent eye damage may result.

## CAUTION

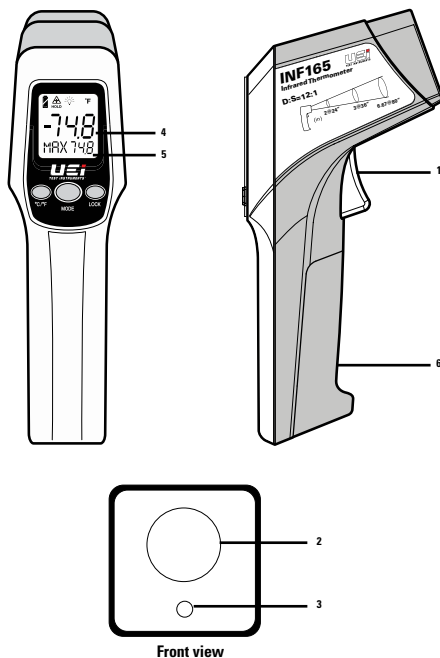
LASER RADIATION - DO NOT STARE INTO BEAM



CLASS II LASER PRODUCT

Max Output < 1mV - Wavelength 635-660nm

## Controls and Indicators



1. **Trigger:** Initiates measurements.
2. **IR Sensor**
3. **Laser Pointer Beam**
4. **LCD Display:** Temperature
5. **LCD Display:** Maximum value
6. **Battery Compartment**

## Displays and Indicators



1. **°C/°F -button:** Select °F or °C
2. **Mode -button:** Select Emissivity (0.70, 0.95) Hold trigger and press the Mode button to change laser visibility
3. **Lock -button:** Lock and Backlight
4. **Polarity Indicator:** Appears when measuring negative temperature
5. **Numerical Display:** Indicates measured temperature value
6. **Scale Icons:** Indicate that either the Fahrenheit (°F) or Celsius (°C) scale is selected
7. **MAX:** Displays maximum measured value
8. **HOLD:** Indicates display is in "HOLD" mode
9. **Battery Level**

## Operating Instructions

### Taking Measurements

To take a temperature measurement using your INF165, you simply point the aperture at an object and pull the trigger. The object's temperature will show up on the display and update at a rate of approximately 2 times per second.

There will be a delay of approximately one-second between the time you initially pull the trigger and the time the display comes on. The 60-second auto-hold initiates at the moment you release the trigger. The maximum temperature is viewed beside the "MAX" icon.

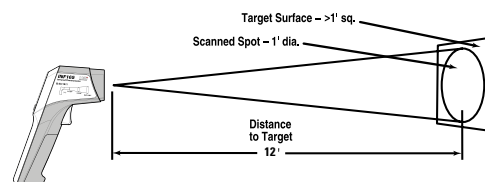
**NOTE:** This thermometer will automatically shut off if left idle for more than 15 seconds.

Follow these general guidelines to ensure you get the most accurate readings possible:

- Be sure the measured object fills the "spot" seen by the aperture. The distance to spot ratio for the INF165 is 12:1.

This shows the one-foot spot fitting within the one-foot target area. At this distance, and anything closer, the target's temperature will be accurately measured.

**NOTE:** If the two-foot diameter spot includes unwanted objects in the background that are not part of the one-foot target, the temperature of the background objects will be figured in with the target's temperature and cause errors in your measurements.



- When comparing temperatures of similar objects that are far away, take your measurements at the same distance and angle to the target each time.

- When looking for abnormally hot or cold targets it may be acceptable to include background objects so long as the temperatures in the background and your methods are consistent.

- Consider the emissivity of the objects you are measuring.

- Prepare a surface for measurement. Infrared thermometers measure only the outer surface of an object. If emissivity is affecting the measurement, or you have difficulty putting the object in the sensors line-of-site, you may need to prepare a surface that's easy for the infrared thermometer to read. A piece of masking tape is a good target and it will rapidly take on the temperature of the object it is attached to.

- Be aware that you cannot measure the temperature of air between the Infrared thermometer and an object. Air vents (registers) are quick to take on the temperature of outlet air. However, you must aim directly at the vent if you are measuring outlet air temperature.

- Keep your infrared thermometer away from strong electrical fields. When working near a strong electrical field, like that under the hood of your car, watch for unusual readings or an "over load" indication. Often, you can move the thermometer just a few inches to escape the influence of the interference.

- Keep your INF165 within its use and storage temperature range. Excessive heat or cold will adversely affect the accuracy of your readings. When the trigger is pulled the target's temperature will be displayed in a near real-time mode (less than 1/2 second between measurements). The temperature will remain on the display for sixty seconds after the trigger is released.

### Emissivity

Not all surfaces emit infrared energy at the same level. A shiny surface will emit much less infrared energy at a given temperature when compared to a flat black surface. The INF165 has two preset emissivity levels used to compensate for variances in your target.

High (0.95) will work for most common surfaces and is set as default for many infrared thermometers. Medium (0.70) is best for oxidized copper or rusty iron.

## Changing Scales

To change scales between degrees Fahrenheit and degrees Celsius, press the button on the panel, (marked °C / °F), while the display is active. Even if the trigger is released and the display is in its 60-second automatic hold, you can convert the reading between scales. Each time you press the scale button, the 60-second hold will reset. The INF165 will default to the scale last used the next time it is turned on.

## Using the Laser Sight

The INF165 is classified as a "Laser Product", and is regulated by the FDA. The laser and backlight are always on when the trigger is pulled.



**CAUTION!**  
Using controls, making adjustments, or performing procedures in any manner other than that specified herein may result in hazardous laser radiation exposure.

## LCD Error Messages

The thermometer incorporates visual diagnostic messages as follows:

**Er-2** : "Er2" is displayed when the thermometer is exposed to rapid changes in the ambient temperature.

**Er-3** : "Er3" is displayed when the ambient temperature exceeds the operation range of 32° to 122°F (0° to 50°C). The thermometer should be allowed plenty of time (minimum 30 minutes) to stabilize to the working/room temperature.

**Er** : For all other error messages it is necessary to reset the thermometer.

To reset the thermometer, turn the instrument off, remove the battery and wait for a minimum of one minute. Reinsert the battery and turn it on. If the error message remains please contact UEI service department for further assistance.

## Battery Indicators

The thermometer incorporates visual low battery indications.

: "Battery OK" measurements are possible

: "Battery Low" battery needs to be replaced, measurements are still possible

: "Battery Exhausted" measurements are not possible

# Maintenance

## Periodic Service



**WARNING!**  
Repair and service of this instrument is to be performed by qualified personnel only.

## Cleaning

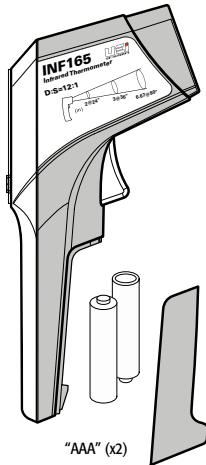
Periodically clean your instrument's case using a damp cloth. DO NOT use abrasive, flammable liquids, cleaning solvents, or strong detergents as they may damage the finish, impair safety, or affect the reliability of the structural components.

## Battery Replacement

Always use a fresh replacement battery of the specified size and type. Immediately remove the old or weak battery from the meter and dispose of it in accordance with your local disposal regulations. Old or defective batteries can leak chemicals that corrode electronic circuits.

## To replace the battery:

1. Slide the battery cover straight down then away from the INF165.
2. Replace with fresh AAA batteries.
3. Replace cover.



"AAA" (x2)

## Lens Care

The sensor lens is the most delicate part of the thermometer. The lens should be kept clean at all times. Care should be taken when cleaning the lens using only a soft cloth or cotton swab with water or medical alcohol. Allowing the lens to fully dry before using the thermometer. Do not submerge any part of the thermometer in liquids.



**WARNING!**  
Under **NO** circumstance should you expose batteries to extreme heat or fire as they may explode and cause injury.

**NOTE:** This instrument contains no user serviceable parts. If service becomes necessary, call UEI and ask for the service department. See the warranty section of this manual for additional details.

## EMC/RFI

Readings may be affected if the unit is operated within radio frequency electromagnetic field strength of approximately 3 volts per meter, but the performance of the instrument will not be permanently affected.

## IR Thermometers

Infrared Thermometers measure the amount of thermal radiation emitted from an objects surface. To take a measurement, the object must be within the field of view of the infrared thermometer, or the reading may include objects surrounding your target. This target size is determined in the distance to spot ratio stated on the instruments specifications. At a ratio of 10:1, a distance from your target of ten feet will give you a circle with one foot diameter. At 20:1 ratio gives the same one foot target now at 20 feet, so you can see that higher is better, but typically more expensive due to the cost of the optics involved.

The other common question is regarding emissivity. In simple terms emissivity is a percentage of energy emitted from a surface compared to the energy emitted from a black body source. If a surface emits one half (1/2 or 0.5) the amount of energy at a given temperature and wavelength as a black body, it is said to have an emissivity of 0.5.

Surfaces closest to the black body level would be flat black, and those farthest from it would be mirror or chrome surfaces. With a set emissivity level some surfaces may measure lower than actual, because their surface is emitting less thermal radiation at a given temperature. Although you may have a fixed emissivity of 0.95, most items measured will provide a reasonably accurate result. Having a fully adjustable emissivity will give you the ability to fine tune your instrument to a specific application.

## UEI INF165 TEST INSTRUMENTS Infrared Thermometer

### Limited Warranty

The INF165 is warranted to be free from defects in materials and workmanship for a period of three years from the date of purchase. If within the warranty period your instrument should become inoperative from such defects, the unit will be repaired or replaced at UEI's option. This warranty covers normal use and does not cover damage which occurs in shipment or failure which results from alteration, tampering, accident, misuse, abuse, neglect or improper maintenance. Batteries and consequential damage resulting from failed batteries are not covered by warranty.

Any implied warranties, including but not limited to implied warranties of merchantability and fitness for a particular purpose, are limited to the express warranty. UEI shall not be liable for loss of use of the instrument or other incidental or consequential damages, expenses, or economic loss, or for any claim or claims for such damage, expenses or economic loss. A purchase receipt or other proof of original purchase date will be required before warranty repairs will be rendered. Instruments out of warranty will be repaired (when repairable) for a service charge. Return the unit postage paid and insured to:

This warranty gives you specific legal rights. You may also have other rights which vary from state to state.



PLEASE RECYCLE  
Copyright © 2011 UEI

INF165-MAN 2/06

## Specifications

Measurement range	-36.4° to 689°F (-38° to 365°C)
Operating range	32° to 122°F (0° to +50°C)
Accuracy (Tobj= 0-365°C)	+/-2.5% of reading or (2.5°C) 4.5°F whichever is greater
(Tobj -36.4~ 0°C)	± (2.5°C(4.5°F) + 0.05°/ per degree)
Emissivity	0.70, 0.95
Resolution (-9.9° - 199.9°F)	0.2°F/0.2°C
Response Time (90%)	1 second
Distance Spot Ratio	12:1
Battery life	Standard "AAA" (x2)1.5V, 14 hours continuous
Dimensions	6.9" X 1.5" X 2.8"
Weight	6.3 oz including batteries 2 "AAA" 1.5 batteries

Test Equipment  
Depot  
1-800-517-8431

99 Washington Street  
Melrose, MA 02176  
Phone 781-665-1400  
Toll Free 1-800-517-8431

Visit us at [www.TestEquipmentDepot.com](http://www.TestEquipmentDepot.com)